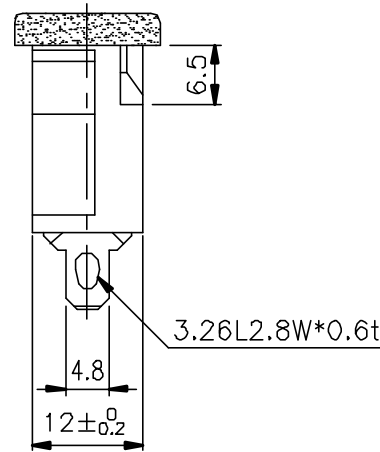
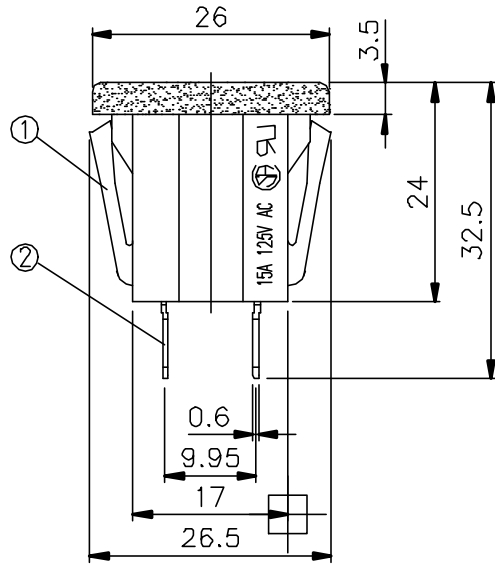
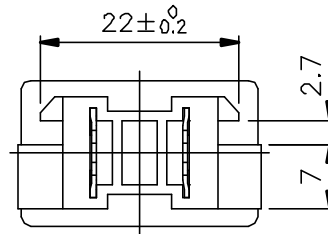
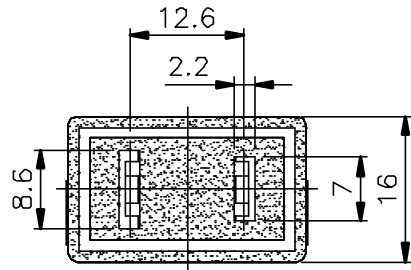
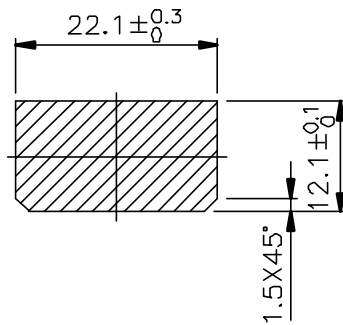


Revision		Date	Approved
Rev.	Description		



15A 125V AC
UL CSA



PANEL CUTOUT

2	Soldering PIN(t)=0.6mm Tin-Plated	2	
1	Body Insulator PC940A Black Color	1	
Dim range (mm)	Tolerance +/- (mm)	Qualtek Electronics Corp. PPC DIVISION Part Number: 738-CX2/02	
0-1	0.15	Description:	
1-6	0.20	RECEPTACLES	
6-18	0.30		
18-50	0.50		
50-120	0.70	Drawn/Date	Checked/Date
120-250	0.90	B.ZHANG	04-24-02
250-500	1.20	04-24-02	JJH/04-24-02
		Approved/Date	